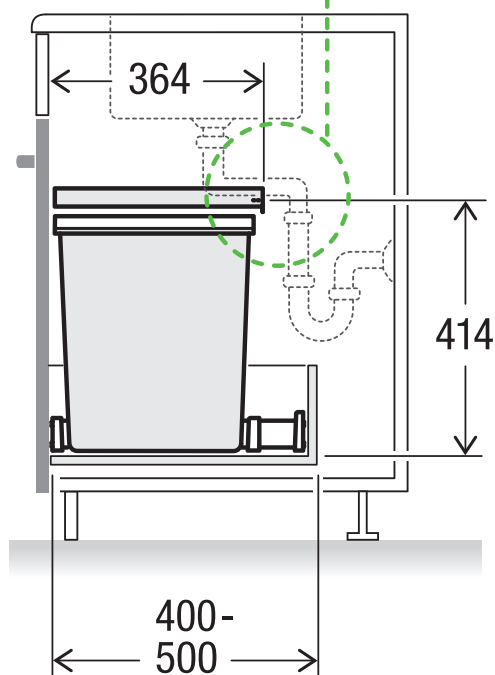
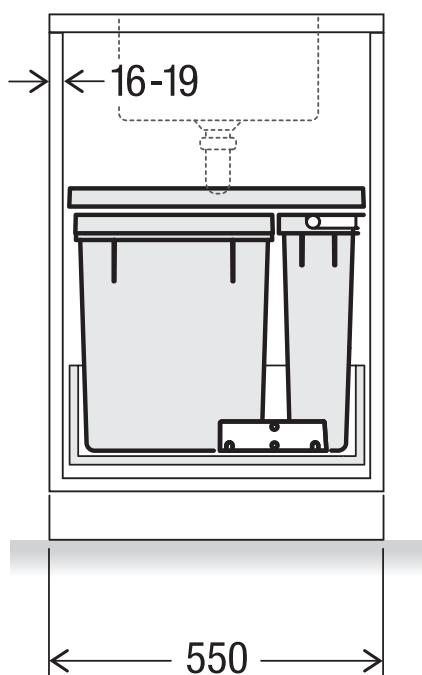
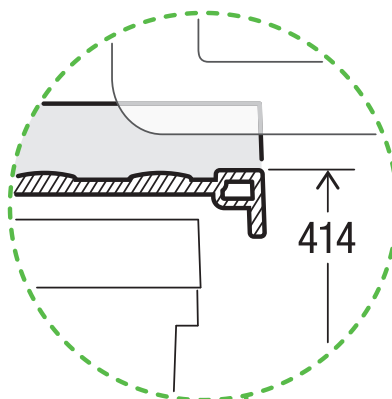
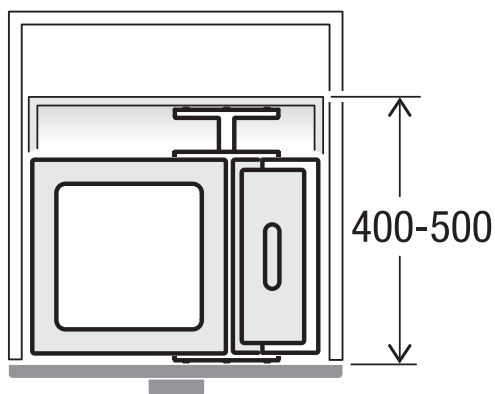


X55 L7 Basic

Art. No. 80.50.305

**Waste separation system
for pre-existing rails**



MÜLLEX

A. & J. Stöckli AG · Ennetbachstrasse 40 · CH-8754 Netstal
+41 55 645 55 80 · info@muellex.ch · muellex.ch

80.50.305 / Msk. 01 EN