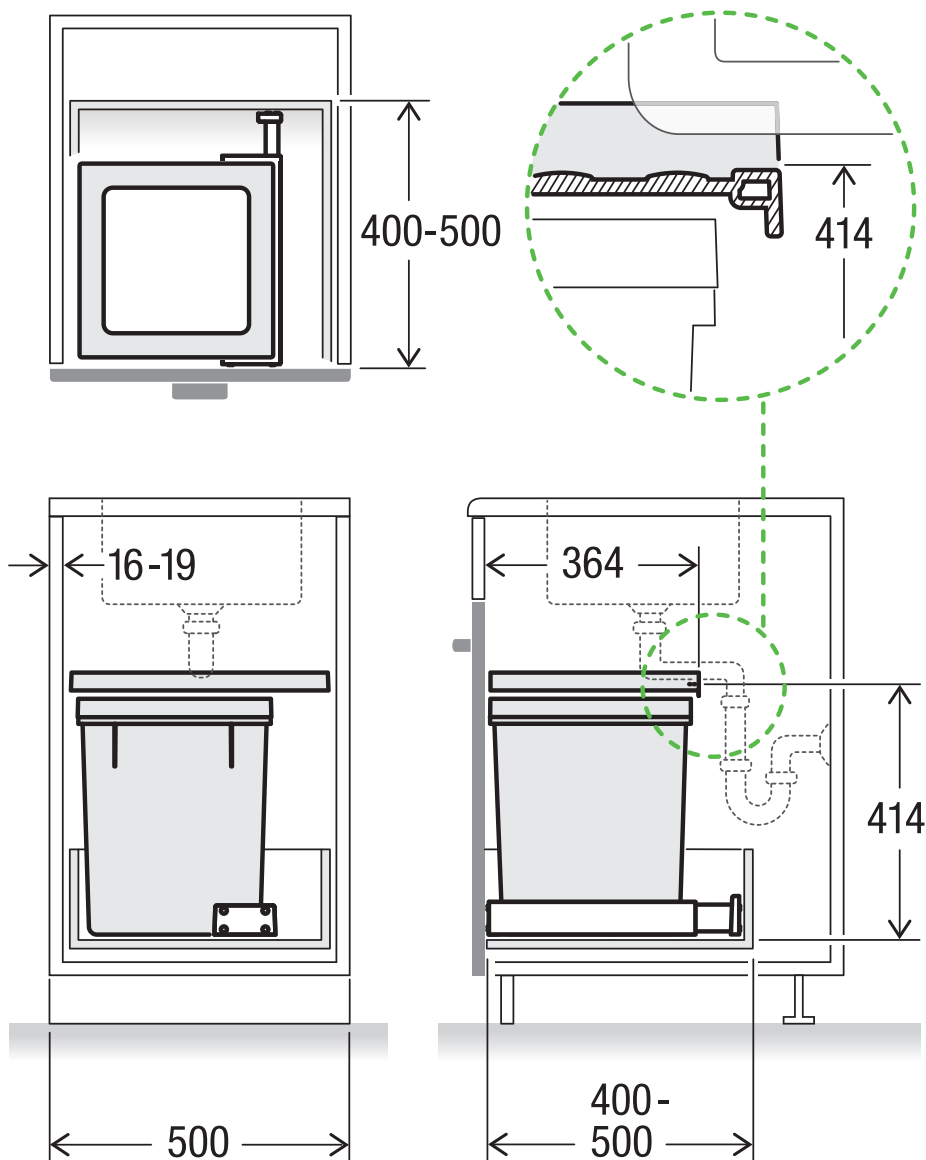


# X50 L35 Basic

Art. No. 80.50.201

**Waste separation system  
for pre-existing rails**



**MÜLLEX**

A. & J. Stöckli AG · Ennetbachstrasse 40 · CH-8754 Netstal  
+41 55 645 55 80 · info@muellex.ch · muellex.ch