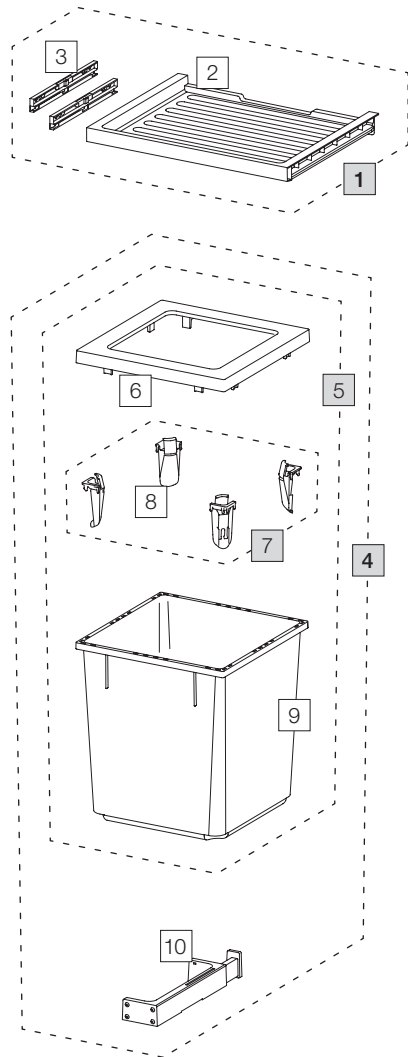


# X50 L35 Basic

Art. No. 80.50.201

Waste separation system for pre-existing rails



Art. No.	Name	CHF VAT excluded
<b>1</b>	<b>80.41.201 Drawer 50 Basic</b>	<b>33.00</b>
2	12287 Drawer 50 Basic	27.50
3	13011 Adapter drawer (pair)	9.90
<b>4</b>	<b>80.51.101 Waste separation container X45 L35</b>	<b>137.00</b>
5	12682 Container 40 liter, complet	93.20
6	12247 Covering frame	19.30
7	12252 Bag tightener (4 pcs.)	18.30
8	12721 Bag tightener	4.60
9	12244 Container 40 liter	58.30
10	12626 C-Ratchet, complet	43.60

■ Set

□ Component parts